

MULTICRACKER®

MC15

The Perfect Solution
for Modern Grinding Technology

- ◇ Up to 12 t/h throughput
- ◇ Highest energy efficiency
- ◇ Compact design, little floor space
- ◇ Homogenous ground product, low powder fraction
- ◇ Gentle processing, minimal heat development



STAINLESS
STEEL
VERSION
AVAILABLE

CONFIGURATION

Manual, stepless adjustment of the grinding gap

Dustproof grinding unit

Foreign object protection by spring technique

Quick change of cracker unit

Disk profile of your choice

EC-conform, ATEX certified crackerunit

Motorized gap adjustment, subframe and further optional extras available upon request

IDEAL AREAS OF APPLICATION

Grains

Legumes

Seeds

Extraction meal/cake

Herbs/tea

Pharmaceuticals

Chemicals

...and much more

TECHNICAL DATA/SPECIFICATIONS

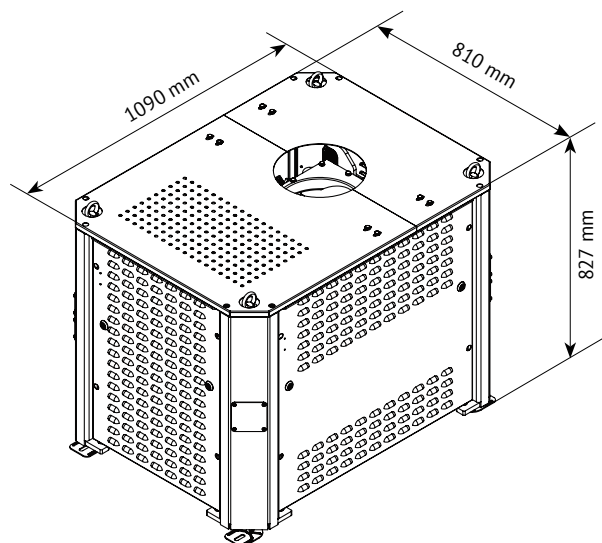
Input chute: DN 250 (others available)

Output chute: DN 250 (others available)

Outer dimensions: (see drawing)

Drive power: 2x 7,5 kW

Weight: 580 kg



MAKOPA GmbH & Co.KG
Lochfeldstr. 28
D-76437 Rastatt

Tel +49 7841 67197-0
vertrieb@makoba.de

MAKOBA – Your Partner for Advanced Grinding Technology

Who we are

MAKOBA is an innovative, owner-managed mechanical engineering company based in Rastatt, South-West-Germany. We specialise in the development, production and worldwide distribution of machines for the food, animal feed and chemical industries.

The company is built upon a committed and customer-orientated team. Always with fast response times in solving your customised requirements. Competent service and support are a matter of course for us.



The core of our product range is the innovative MULTICRACKER® grinding technology, with the patented design of the special grinding unit. Our MULTICRACKER® machines offer a reliable and resource-saving solution for grinding bulk materials in various applications in the animal feed, food and chemical industries as well as for similar applications since many years. The product and service programme built around these machines is constantly being further developed and expanded.

Your advantage

With our innovative MULTICRACKER® machines, you achieve a homogeneous grinding result with minimum energy input. The grinding of feed and similar applications e.g. for laying hens is one of the specialties of our machines.

Get in touch with us!

We cordially invite you to learn more about the MULTICRACKER® machines. Please contact us online or simply give us a call. You are welcome to carry out grinding trials at our premises or hire a machine for a self-test. If we have sparked your interest in our machines, our team would be delighted to hear from you at any time.

Contact

MAKOBA GmbH & Co.KG Tel +49 7841 67197-0
Lochfeldstr. 28 vertrieb@makoba.de
D-76437 Rastatt

